

**M510
BRONZE Y-STRAINER**

Technical Specifications

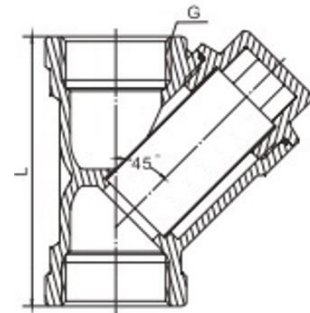
Specification	Description
Nominal Pressure	20bar
Working Medium	Water, Non-Corrosive Liquid, Air
Working Temperature	-20°C ≤ T ≤ 180°C
Thread Standard	BS EN 10226-1 (ISO 7)



Materials

No.	Part	Material
1	Body	Bronze
2	Bonnet	Bronze
3	Screen*	SS304
4	Washer	REPTFE

*Mesh 18



Dimensions (mm)

DN	15	20	25	32	40	50
L	54.5	65	78	85	99	118