

# M400 BRASS CHECK VALVE

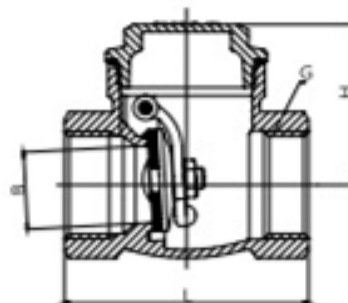
## Technical Specifications

Specification	Description
Nominal Pressure	16bar
Working Medium	Water, Non-Corrosive Liquid
Working Temperature	-20°C ≤ T ≤ 90°C
Thread Standard	BS EN 10226-1 (ISO 7)



## Materials

No.	Part	Material
1	Body	Brass
2	Rocker	Brass
3	Nut	Brass
4	Sealing Plate	Nitrile Rubber
5	Flap	Brass
6	Mandrel	Stainless Steel
7	Washer	PTFE
8	Bonnet	Brass
9	Bolt	Brass



## Dimensions (mm)

DN	L	B	H
15	50	13	35
20	60	19	40
25	74	25	46.5
32	84	30	53
40	94	36	60
50	114	46	70